

SURETHERM^{PRO} 1X



The new heating method, easy set on a modern touch screen, is specially developed for the heating of gears and bearings. The user can set the temperature and time (ramp), or place two sensors. The major advantage this provides is the temperature differential between the internal and external component materials remains low thus reducing the potential for material stress accumulation and subsequent potential distortional damage.

Electricity

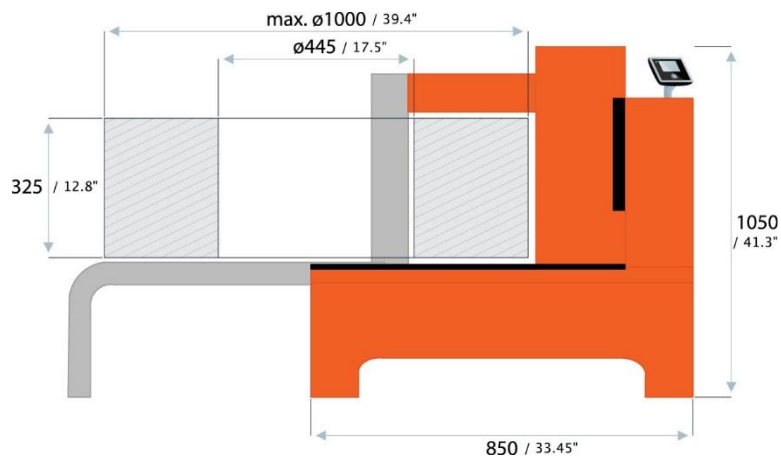
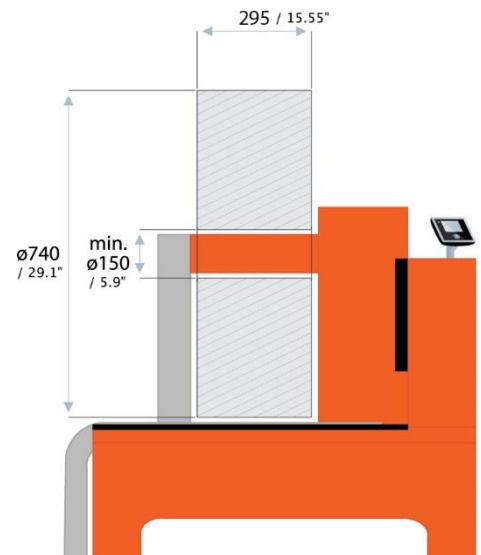
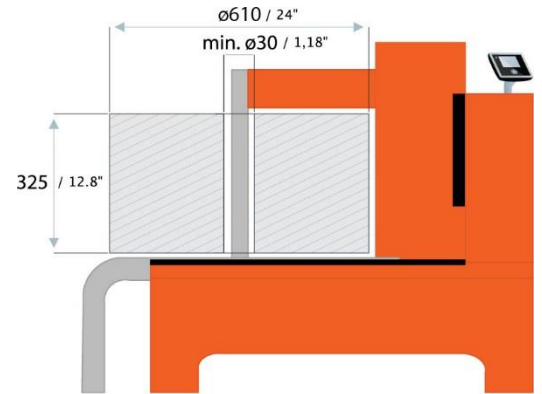
Power rating	12.8 kVA
Voltage	400 - 480 - 575 V
Current max.	32 A
Frequency	50 - 60 Hz

Workpiece max. weight





Bearings and other parts	400 kg / 880 lbs
--------------------------	------------------

Workpiece Dimensions

Min. bore	30 mm / 1.18"
Max. Outer diameter	1000 mm / 39.4"
Max. Workpiece width	325 mm / 12.8"



Controls (for tension free heating)

	Temperature (1 sensor)	0-240°C / 32-464°F (Custom: 0-400°C)
	Temperature (2 sensor)	0-240°C ΔT 20-50°C
	Time	0-99 min
	Time / Temperature Ramp	5-99 min / 5-240°C 0-99 hours / 5-240°C



Available Yokes (optional):

Dimensions (mm)	20x20x490 mm	0.80x0.80x19.30"
	30x26x490 mm	1.20x1.00x19.30"
	40x38x490 mm	1.60x1.50x19.30"
	50x48x490 mm	2.00x1.90x19.30"
	60x60x490 mm	2.40x2.40x19.30"
	70x70x490 mm	2.80x2.80x19.30"
	80x80x490 mm	3.15x3.15x19.30"

Touch screen:

Heating Temperature (1 sensor)	Set- and actual temperature, time and power
Heating Temperature (2 sensor)	Set- and actual temperature, time and power. Actual temperature difference between inside and outside diameter
Heating time	Set- and actual time
Heating Time / temp ramp	Set- and actual temperature, time and power
Languages	English, German, Spanish, French
Error report	Shown in display

Others



Heating graph	Shown in display
External interface	USB 2.0 Port
Sound signal	Buzzer
Temperature hold	Yes
Demagnetizing	< 2A/cm
Magnetic probe	One piece
Thermal safety guard coil	Yes
Warranty	36 Months (24+12)